

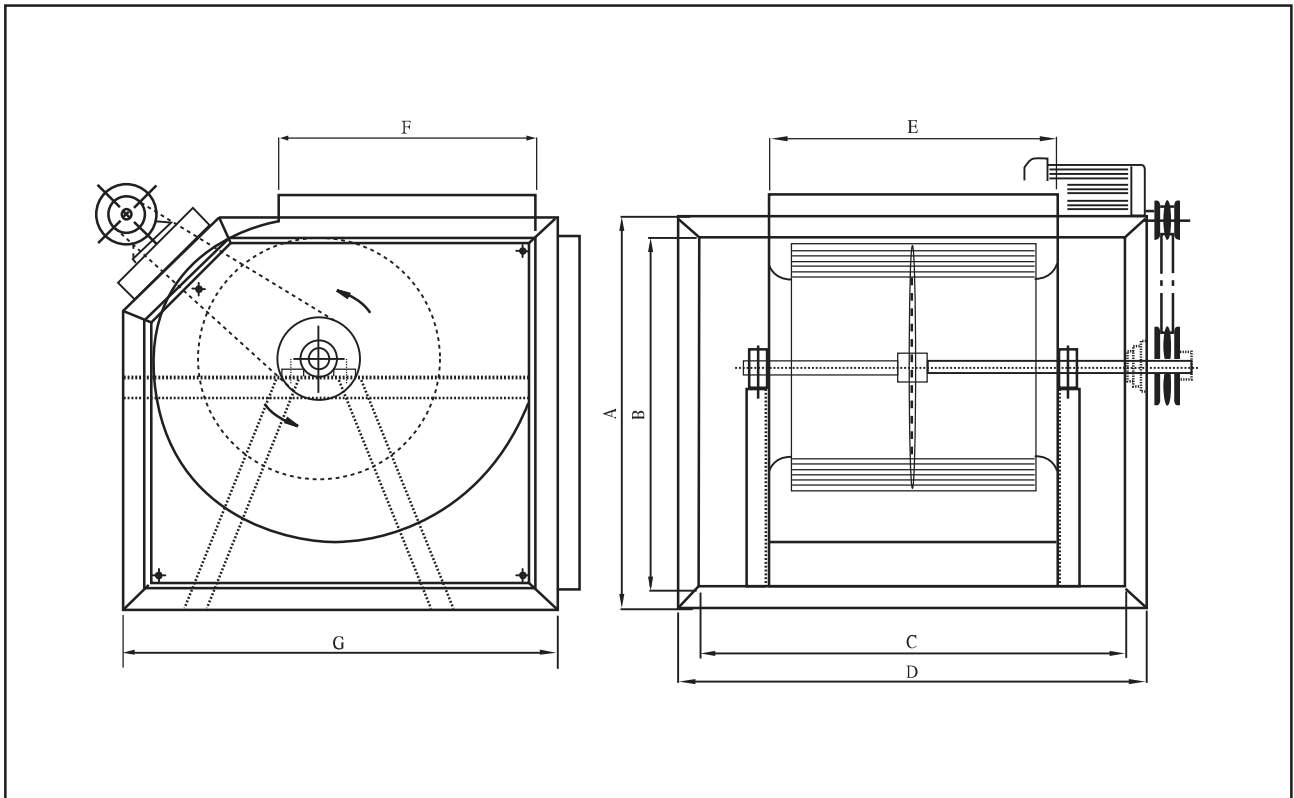
Forward Curved Fan

- Housing material: Galvanized sheet
- Impeller material: Galvanized sheet
- Belt Driven

Applications:

- Hotel ventilation systems
- Cooling systems
- Increasing airflow to offices, paint chambers or laboratories

Type AV-Fxxx



TYPE	WHEEL (dia) Inch	MOTOR			SP.	CFM.	CMM.	DIMENSION						
		HP.	RPM.	V.				A	B	C	D	E	F	G
AV-F310	10"	1	1420	220/380	40	2000	56	470	420	480	530	355	295	520
AV-F312	12"	2	1420	220/380	40	3000	83	600	520	530	610	395	345	625
AV-F315	15"	3	1420	220/380	40	4800	133	720	640	660	740	480	405	710
AV-F318	18"	5	1420	220/380	40	6500	180	755	675	800	880	560	485	820

* Dimension might be adjusted without notice